

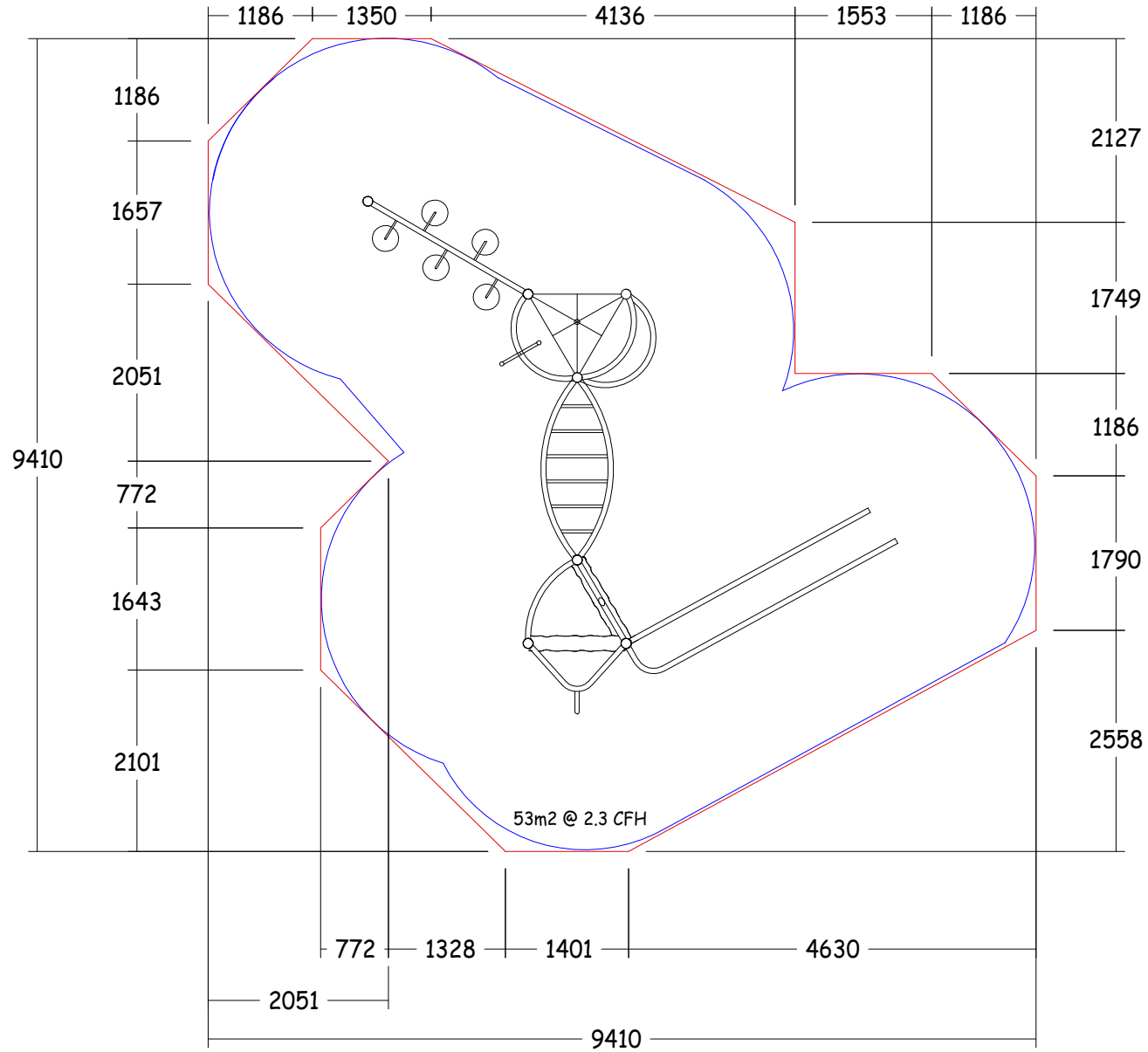
# Play & Leisure Ltd

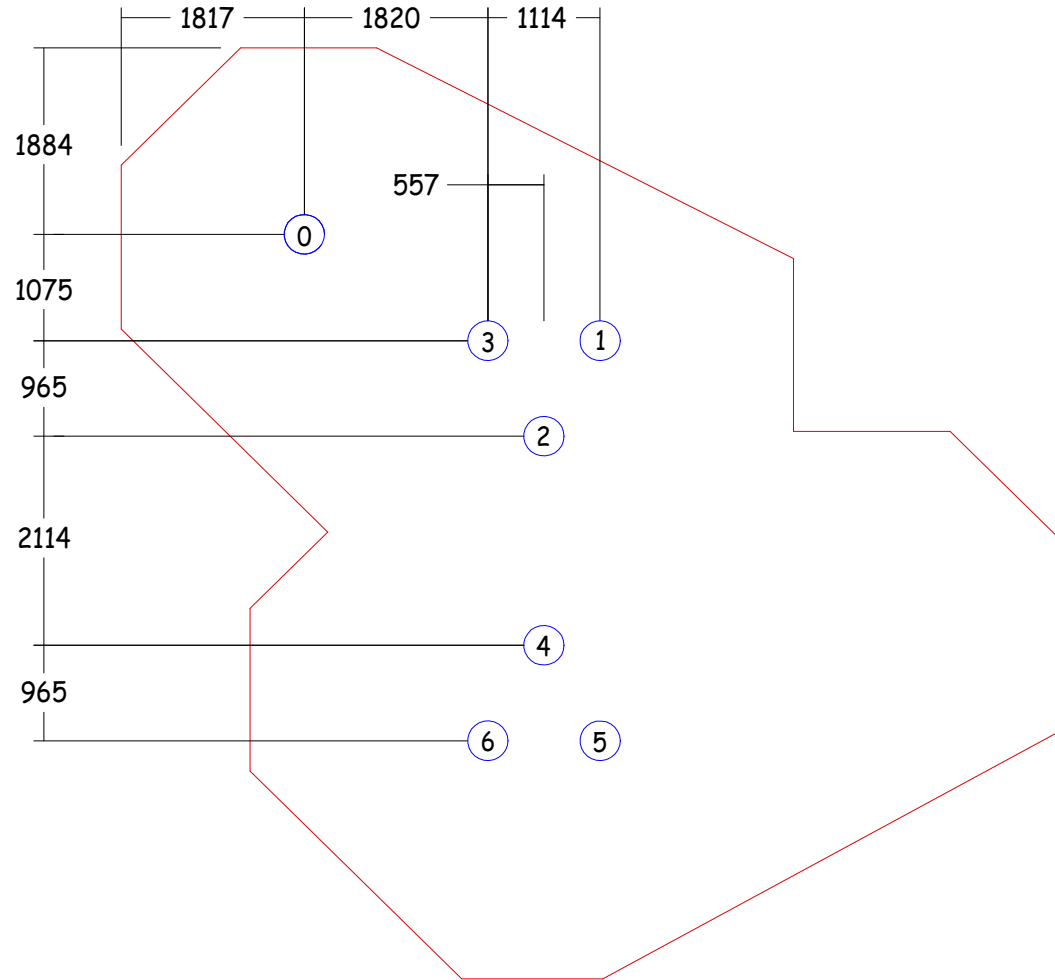
## Installation Details For **Discovery Quest Multi Unit (Q105)**

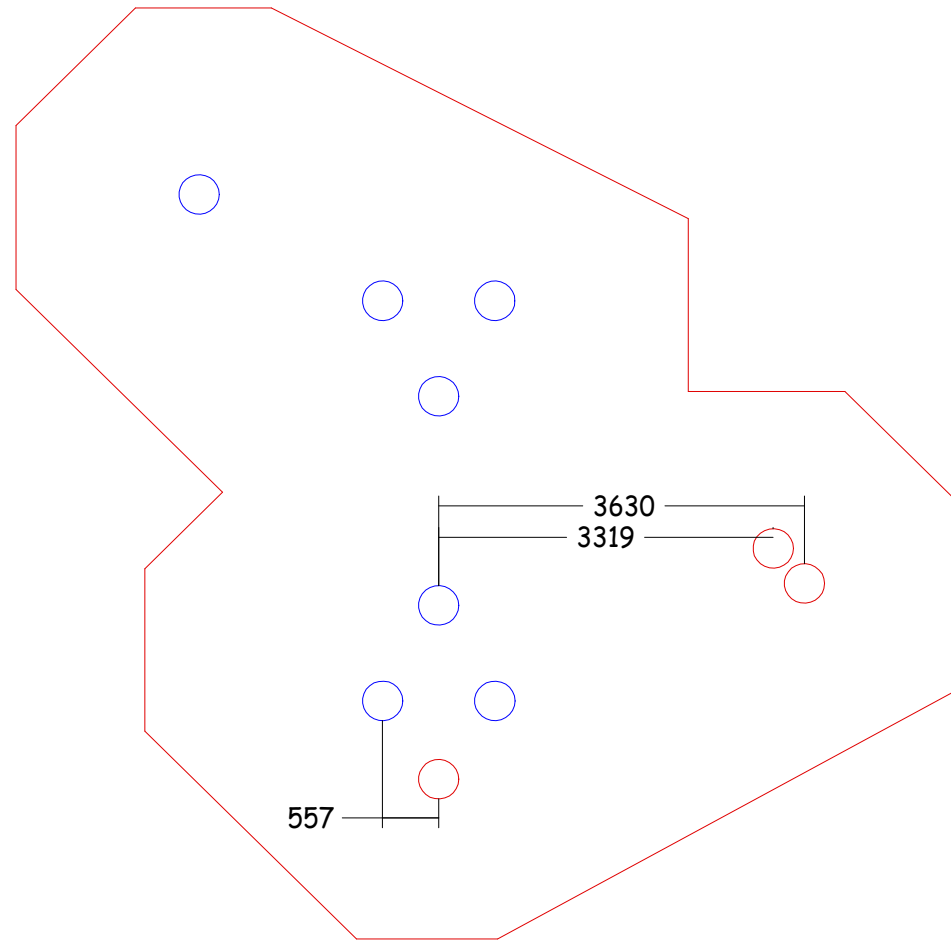
<u>Component List</u>	<u>Quantity</u>
2.6m Post	7
Walkerboard	2
Glider Bars	1
Sloping Firepole	1
Vertical Chain Wall	1
Wave Link	1
Climb Bars	1
Hammock Net	1
Rotating Handlebars	1
Pull Up Bar – Wavy	2
Hang Tough	1
Walkerboard Semi	1

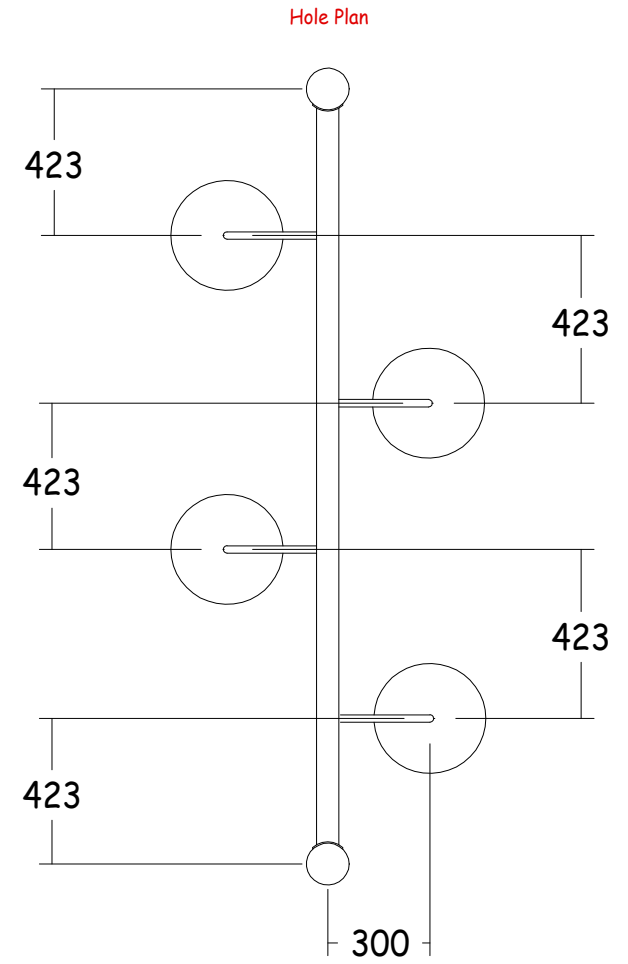
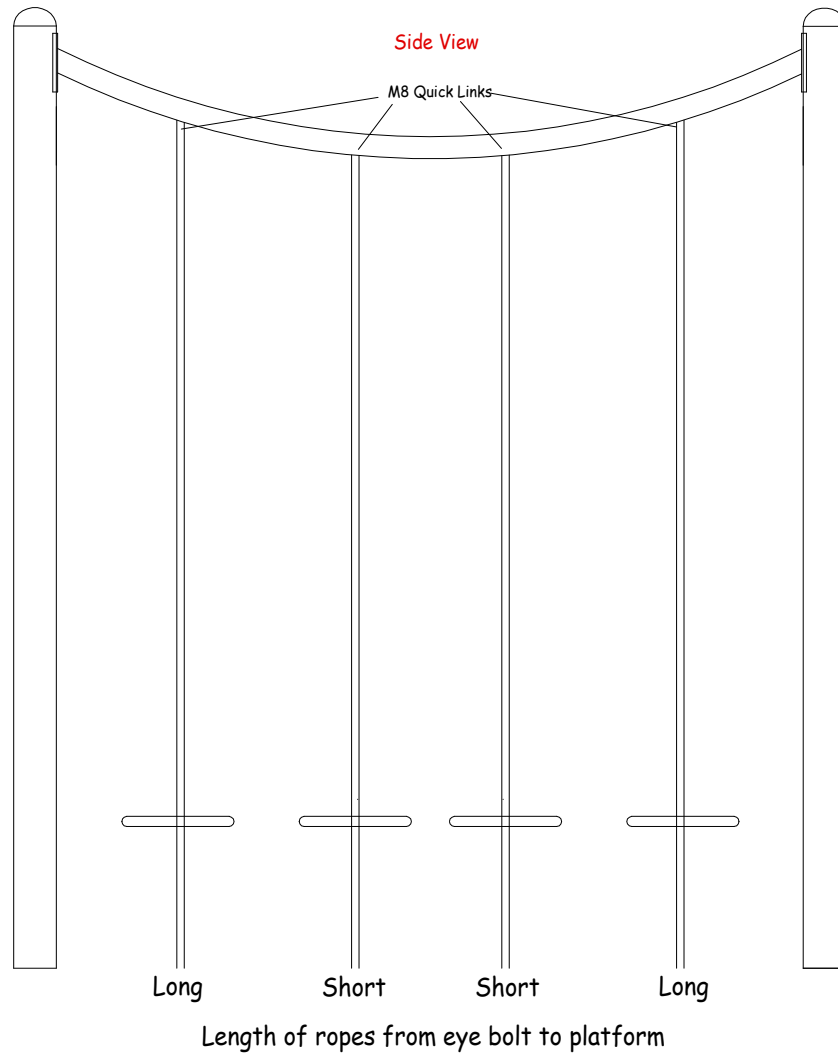
- 1 Construct base as per layout drawing 1 ensuring the correct levels for safety surfacing.
- 2 Excavate 400mm x 400mm holes for Posts as in drawing 2 to a depth of 500mm **(800mm for loose fill)** from finished safety surfacing height. (All Posts have finished ground level marks)
- 3 Position the Posts as per drawing 2
- 4 Fit the Posts in to the excavated holes and connect together using the various components as in drawing 3 and the attached visual
- 5 Excavate 400mm x 400mm holes for events as in drawing 3 to a depth of 500mm **(800mm for loose fill)** from finished safety surfacing height
- 6 Connect the events as per drawing 3 using M10 x 30 resistorx & nylon washers
- 7 Assemble all other items of equipment as drawing 3 using M10 x 30 resistorx bolts & plastic caps
- 8 When installing the Hang tough use drawing no. I/QUHT/01
- 9 Once all equipment is fitted check levels again, tighten all bolts and concrete into the ground

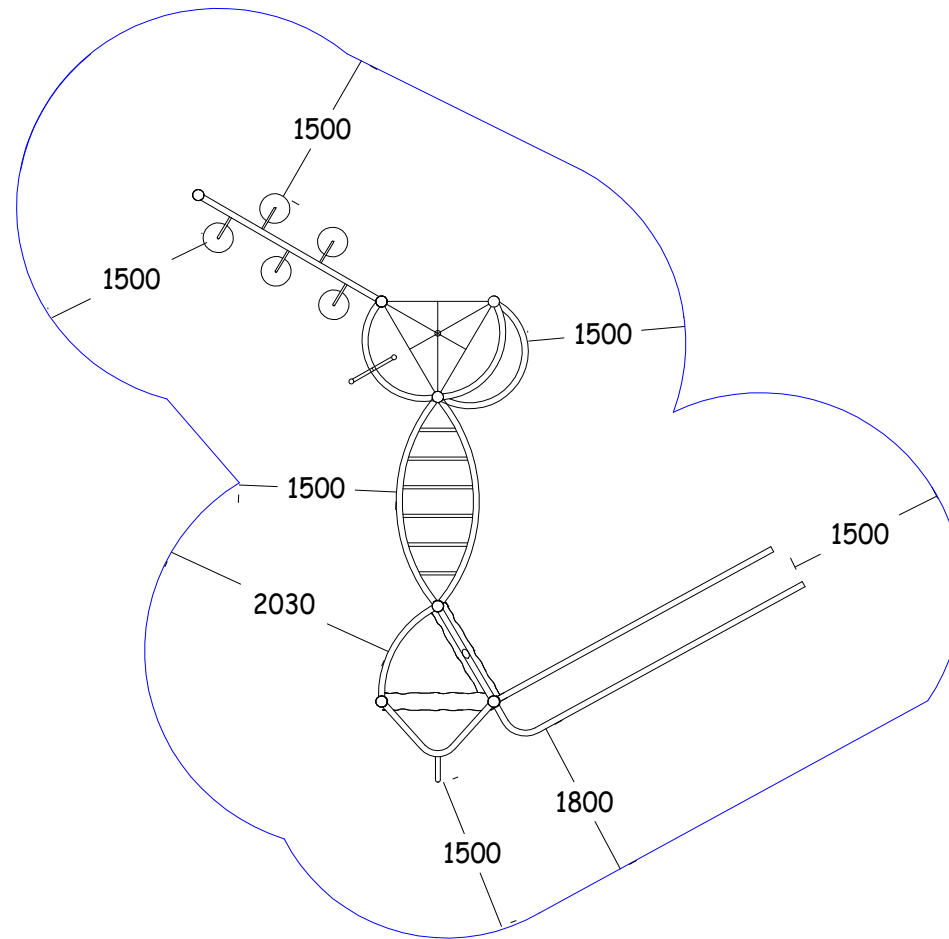
**Note: Do not leave unattended until satisfied the concrete has cured or the site is secure**

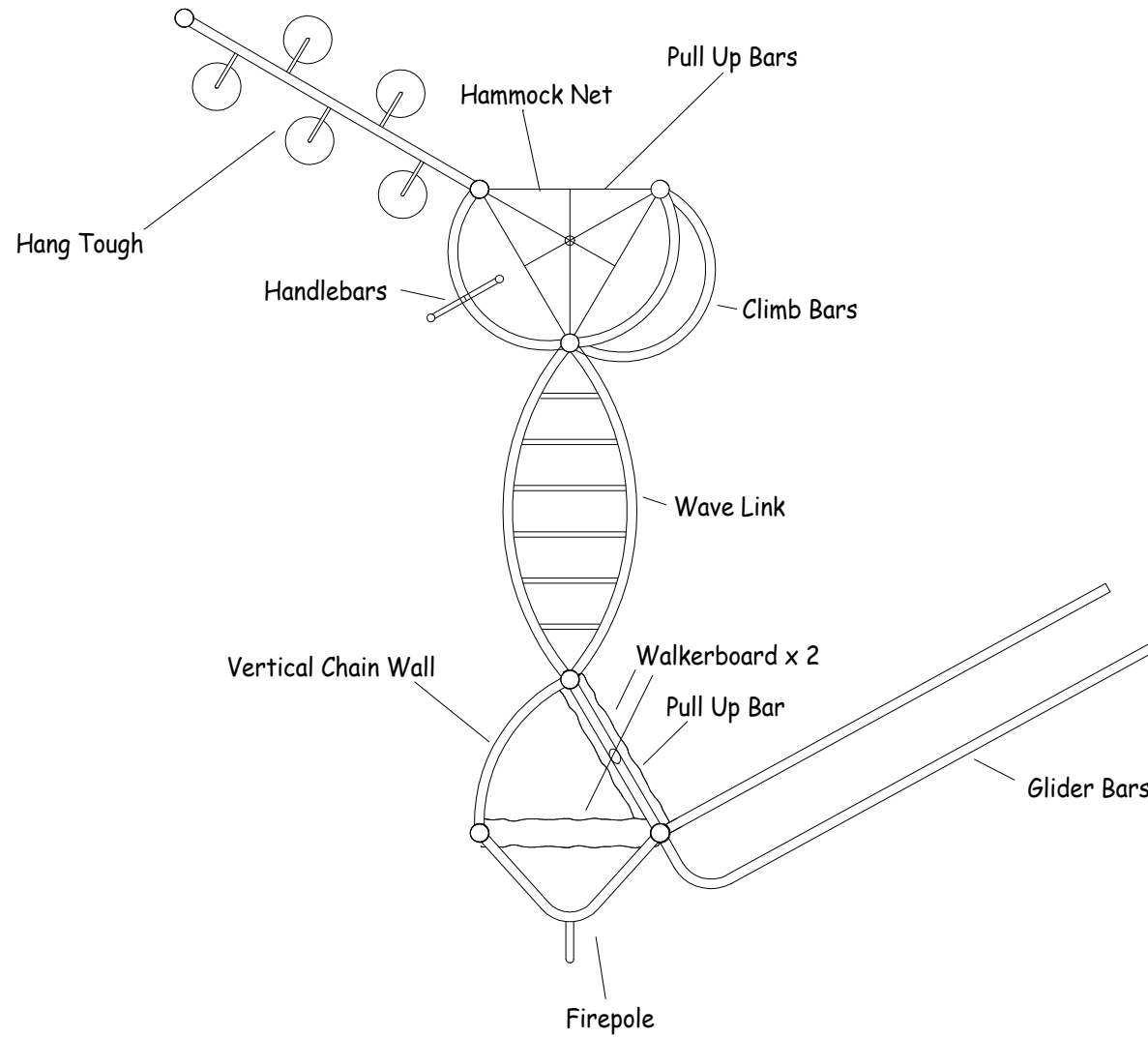


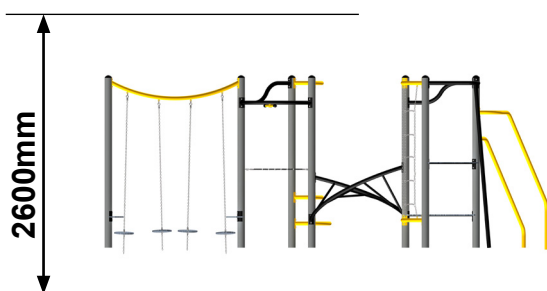










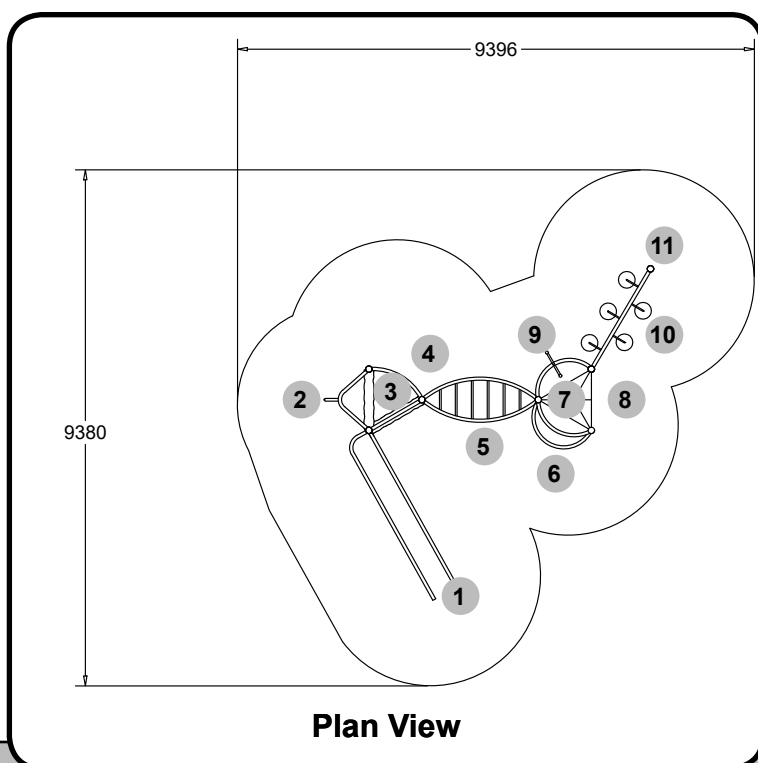


Side Elevation

All Play & Leisure's product range is fully compliant with **BS EN 1176**

**Features**

- 1 Glider Bars
- 2 Sloping Firepole
- 3 Walkerboards
- 4 Vertical Chain Wall
- 5 Wave Link
- 6 Climb Bars
- 7 Hammock Net
- 8 Pull Up Bar - Wavy
- 9 Rotating Handlebars
- 10 Hang Tough
- 11 Walkerboard - Semi



Plan View

**Technical Information**

<b>Product Code</b>	Q105
<b>Equipment Size (mm)</b>	6075Lx 6000W x 2600H
<b>Minimum Space (mm)</b>	9396 x 9380
<b>Free Height of Fall (mm)</b>	2500
<b>Safety Surface Area</b>	53m <sup>2</sup>
<b>User Age Range</b>	7-14 Years



# Play & Leisure Ltd

## Maintenance Schedule

### **Maintenance & Inspection**

All Play & Leisure's products should be inspected and maintained in accordance with the recommendations as detailed in BS EN 1176-7:2008

If any part of the equipment is found to be unsafe during an inspection and cannot be immediately rectified the equipment should be protected against further use.

### **Routine Visual Inspection.**

Routine visual inspections are to be conducted to identify obvious hazards resulting from vandalism, use or weather conditions. e.g. Hazards such as broken parts or broken bottles.

### **Operational Inspection.**

To reduce accidents the operator should ensure an appropriate routine maintenance schedule is established, implemented and maintained. Inspection shall be carried out on a monthly basis, although consideration should be taken regarding local conditions and usage.

During a operational inspection the following should be included:

- Tightening of fastenings.
- Re-painting and re-treatment of surfaces.
- Maintenance of any impact attenuating surfaces.
- Lubrication of bearings.
- Marking of equipment to signify loose fill finished surface levels.
- Cleaning.
- Removal of broken glass and other debris or contaminants.
- Restoring loose fills to the correct level.
- Maintenance of free space areas.

### **Annual Main Inspection (NOT EXCEEDING 12 MONTHS)**

Inspection intended to establish the overall level of safety of equipment, foundation and playing surfaces.

- Effects of weather.
- Rotting or corrosion.
- A change in the level of safety of the equipment as a result of repairs made, or of added or replaced components

### **One Post Equipment Maintenance.**

Special attention should be paid to the stability of products being of a one post design.

### **Corrective Maintenance.**

Corrective maintenance should include measures to correct defects, or to establish the necessary levels of safety of the playground equipment and surfaces. Such measures should include:

- Replacement of fastenings.
- Welding or welding repairs.
- Replacement of worn or defective parts.
- Replacement of defective structural components.

### **Equipment Alterations.**

Alterations to parts of any products that could affect the essential safety of the equipment should only be carried out after consultation with Play and Leisure.

### **Equipment Identification**

Information regarding the manufacturer, I.D. Number, year of manufacturer and the European Standard is displayed on an identification plaque.